

4

3

2

1

THIS DRAWING IS UNPUBLISHED.

RELEASED FOR PUBLICATION

.19

© COPYRIGHT 19

BY AMP INCORPORATED. ALL RIGHTS RESERVED.

LOC
AA

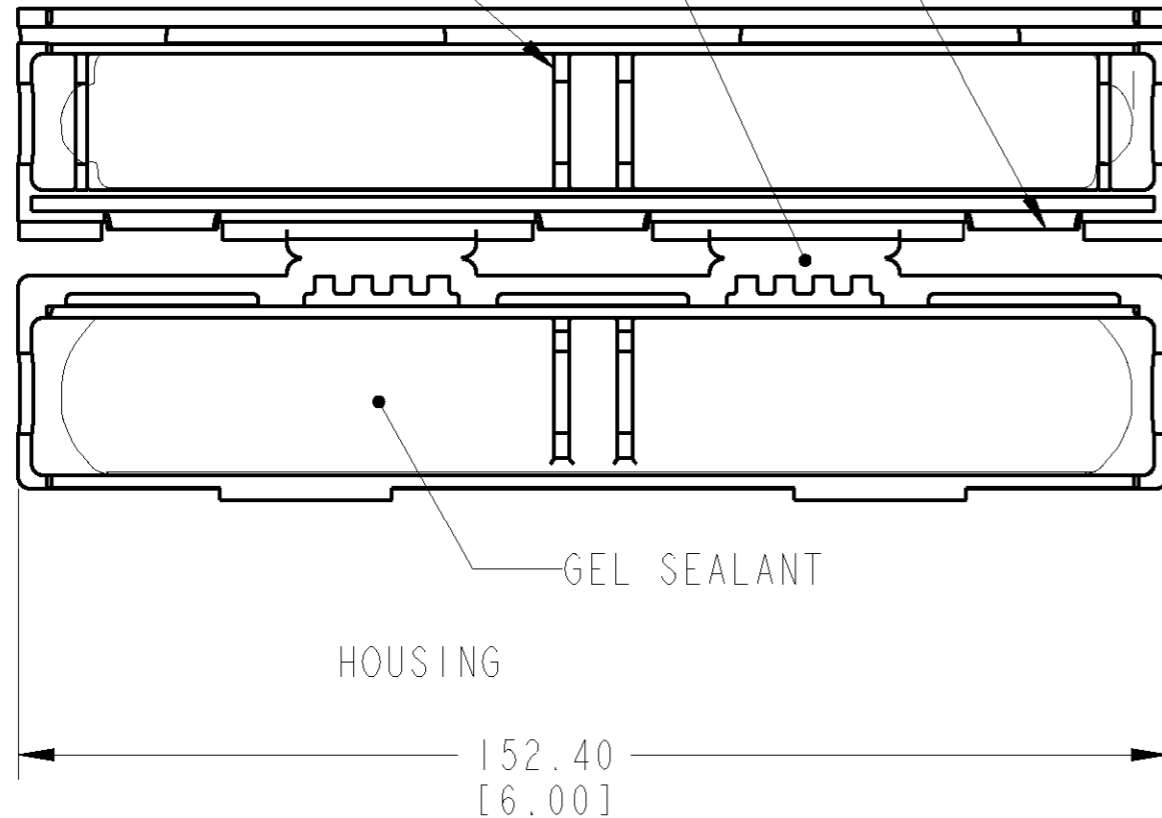
DIST
24

REVISIONS

P	LTR	DESCRIPTION	DATE	DWN	APVD
0		RLSD, NPR C99-004	20JAN99	TCS	PD
A		ADDED IS SPEC 0G3A-0095-99	11OCT99	MF	PD

INTEGRATED LATCHES
HINGED, ONE PIECE CONSTRUCTION

CENTERING TABS



GEL SEALANT

HOUSING

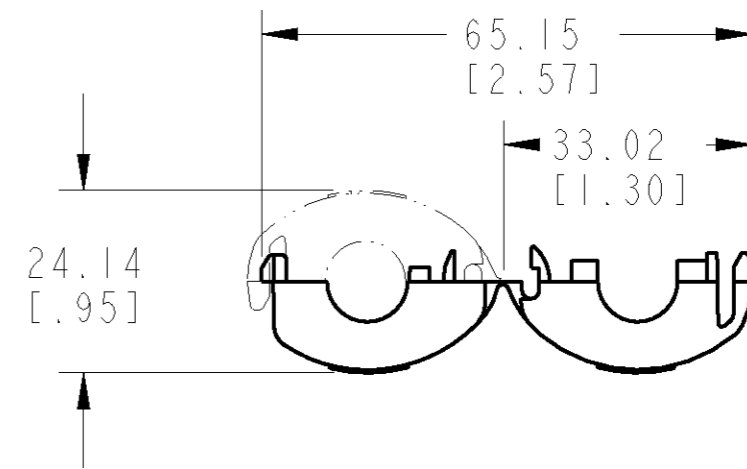
152.40
[6.00]

16.69
[.66]



- UNIT WILL ACCEPT UP TO 6 PAIR.
- DAMAGE OF CABLE NOT TO EXCEED CUSTOMER LIMITS.
- APPLICATION IS ACCOMPLISHED BY CENTERING THE DAMAGE IN UNIT AND ENGAGING THE LATCHES BY FOLDING THE UNIT CLOSED AROUND THE SPLICE. ADDITIONAL CABLE TIES MAY BE USED TO SECURE SPLICE.

△ MATERIAL: HOUSING - POLYESTER, BLACK.
GEL - AMP SEALANT #20.



1116543-1
PART NO.

THIS DRAWING IS A CONTROLLED DOCUMENT FOR AMP INCORPORATED. IT IS SUBJECT TO CHANGE AND THE CONTROLLING ENGINEERING ORGANIZATION SHOULD BE CONTACTED FOR THE LATEST REVISION.		DWN T. SPRINKLE 20JAN99	AMP AMP Incorporated Harrisburg, PA 17105-3608				
DIMENSIONS: mm [INCHES]		CHK P. DESANTIS 20JAN99					
TOLERANCES UNLESS OTHERWISE SPECIFIED: 0 PLC ±- 1 PLC ±- 2 PLC ±0.25 [.01] 3 PLC ±- 4 PLC ±- ANGLES ±-		APVD P. DESANTIS 20JAN99	NAME CLOSURE ASSEMBLY, SHEATH REPAIR, CERTI-SEAL®				
MATERIAL △ 4		PRODUCT SPEC 108-1509	SIZE A3	CAGE CODE 00779	DRAWING NO C-1116543	RESTRICTED TO -	
FINISH -		APPLICATION SPEC IS 408-4544	SCALE		SHEET	OF	REV A
		WEIGHT -	CUSTOMER DRAWING				